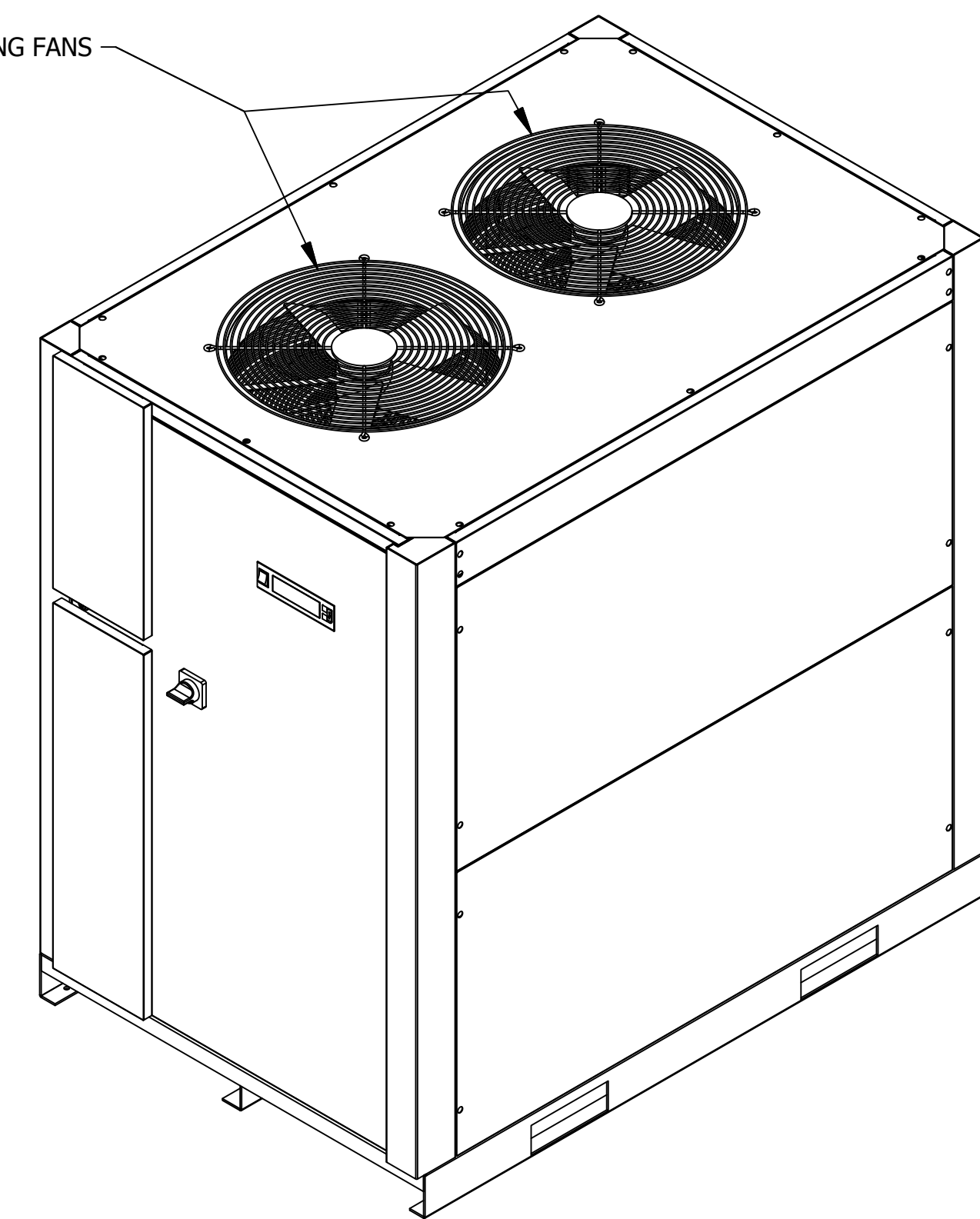


TOP VIEW



COOLING FANS

CONTROL PANEL

DISCONNECT SWITCH

SERVICE:  
COMPRESSED AIR

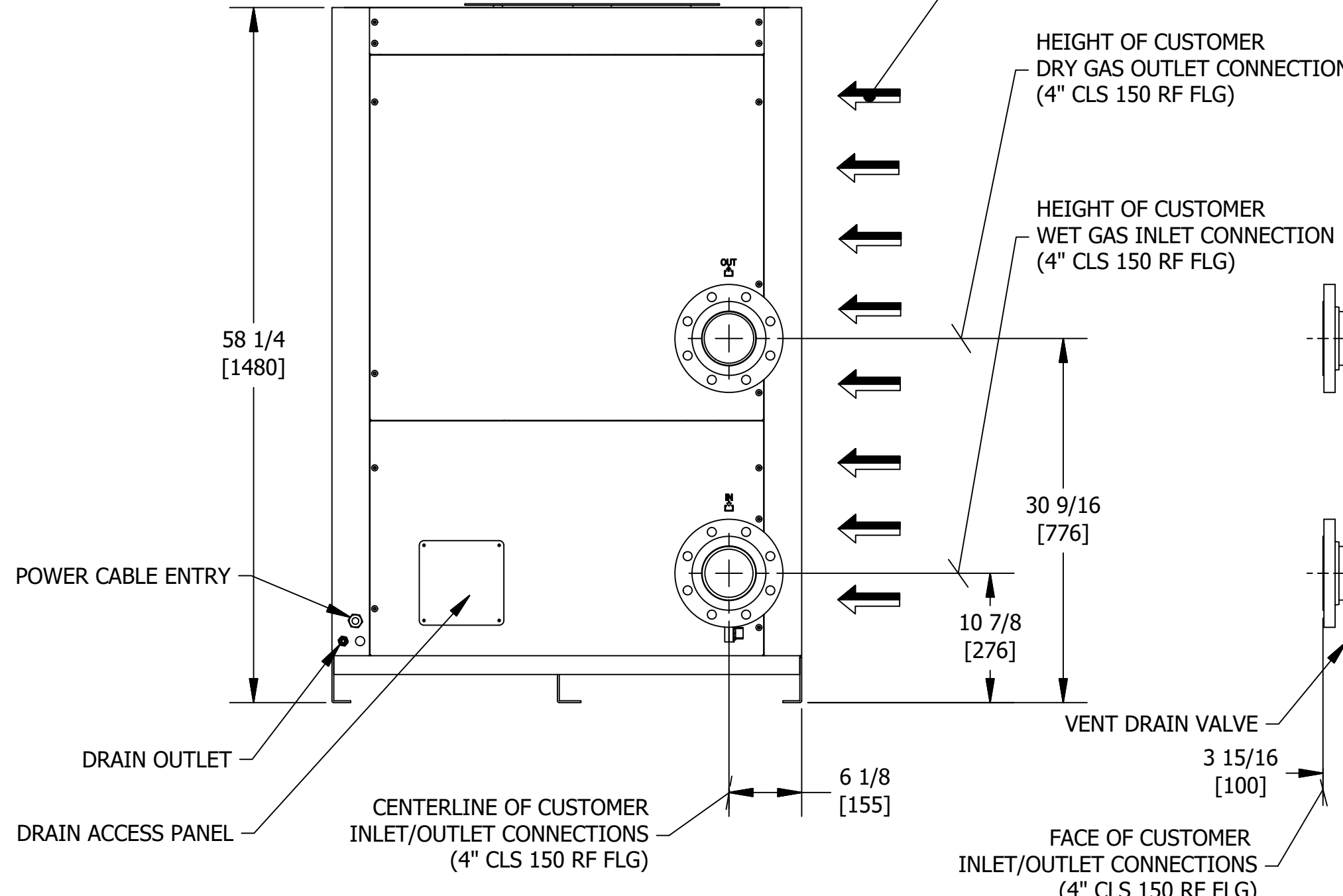
DRYER INFORMATION:  
INLET AIR FLOW: 1250 SCFM | 35.4 Nm<sup>3</sup>/min  
CONNECTIONS: 4" CLS 150 RF FLG  
REFRIGERANT: R407C  
ELECTRICAL: 460V/3PH/60Hz  
WEIGHT: 1537 LBS. / 697 KG

OPERATING CONDITIONS:  
RATED INLET AIR PRESSURE: 100 PSIG / 6.9 BARG  
MAXIMUM INLET AIR PRESSURE: 232 PSIG / 16 BARG  
MINIMUM INLET AIR PRESSURE: 44 PSIG / 3 BARG  
RATED INLET AIR TEMPERATURE: 100°F / 38°C  
MAXIMUM INLET AIR TEMPERATURE: 122°F / 50°C  
MINIMUM INLET AIR TEMPERATURE: 39°F / 4°C  
RATED AMBIENT AIR TEMPERATURE: 100°F / 38°C  
MAXIMUM AMBIENT AIR TEMPERATURE: 113°F / 45°C  
MINIMUM AMBIENT AIR TEMPERATURE: 36°F / 2°C

SPECIFICATIONS:  
CONDENSER TYPE: AIR COOLED  
DRAIN TYPE: ELECTRONIC AUTO DRAIN VALVE  
EXPANSION DEVICE: CAPILLARY TUBES

- NOTES:
- THIS DRAWING ALONG WITH THE MANUAL PROVIDES OPERATING CONDITIONS, SPECIFICATIONS, INSTALLATION, MOUNTING, AND CONNECTION REQUIREMENTS. READ THE MANUAL PRIOR TO INSTALLATION.
  - INSTALL IN A CLEAN, WELL VENTILATED AREA TO REDUCE DIRT AND DUST ON THE CONDENSER COILS.
  - FOR COOLING AIR FLOW AND MAINTENANCE PURPOSES, RECOMMENDED CLEARANCE AROUND UNIT IS 4 FEET [1220 MM].
  - INSTALLATION CONSTRAINTS. ON-SITE ASSEMBLY OF PIPING, TUBING AND/OR ELECTRICAL CONNECTIONS, ARE THE RESPONSIBILITY OF THE CUSTOMER/OWNER.

↑ ↑ ↑ COOLING AIR FLOW



REAR VIEW

POWER CABLE ENTRY  
DRAIN OUTLET  
DRAIN ACCESS PANEL

HEIGHT OF CUSTOMER DRY GAS OUTLET CONNECTION (4" CLS 150 RF FLG)

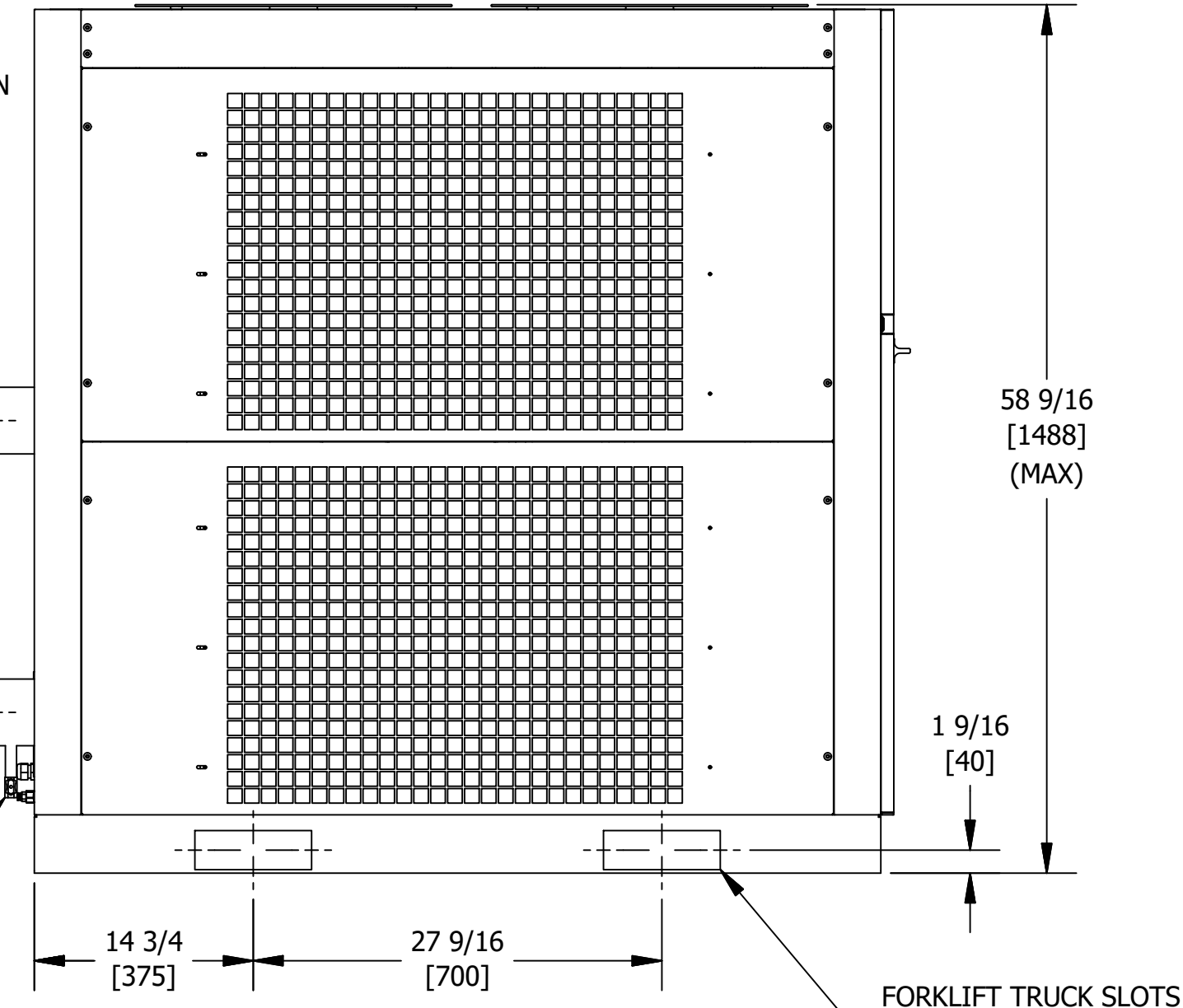
HEIGHT OF CUSTOMER WET GAS INLET CONNECTION (4" CLS 150 RF FLG)

VENT DRAIN VALVE

CENTERLINE OF CUSTOMER INLET/OUTLET CONNECTIONS (4" CLS 150 RF FLG)

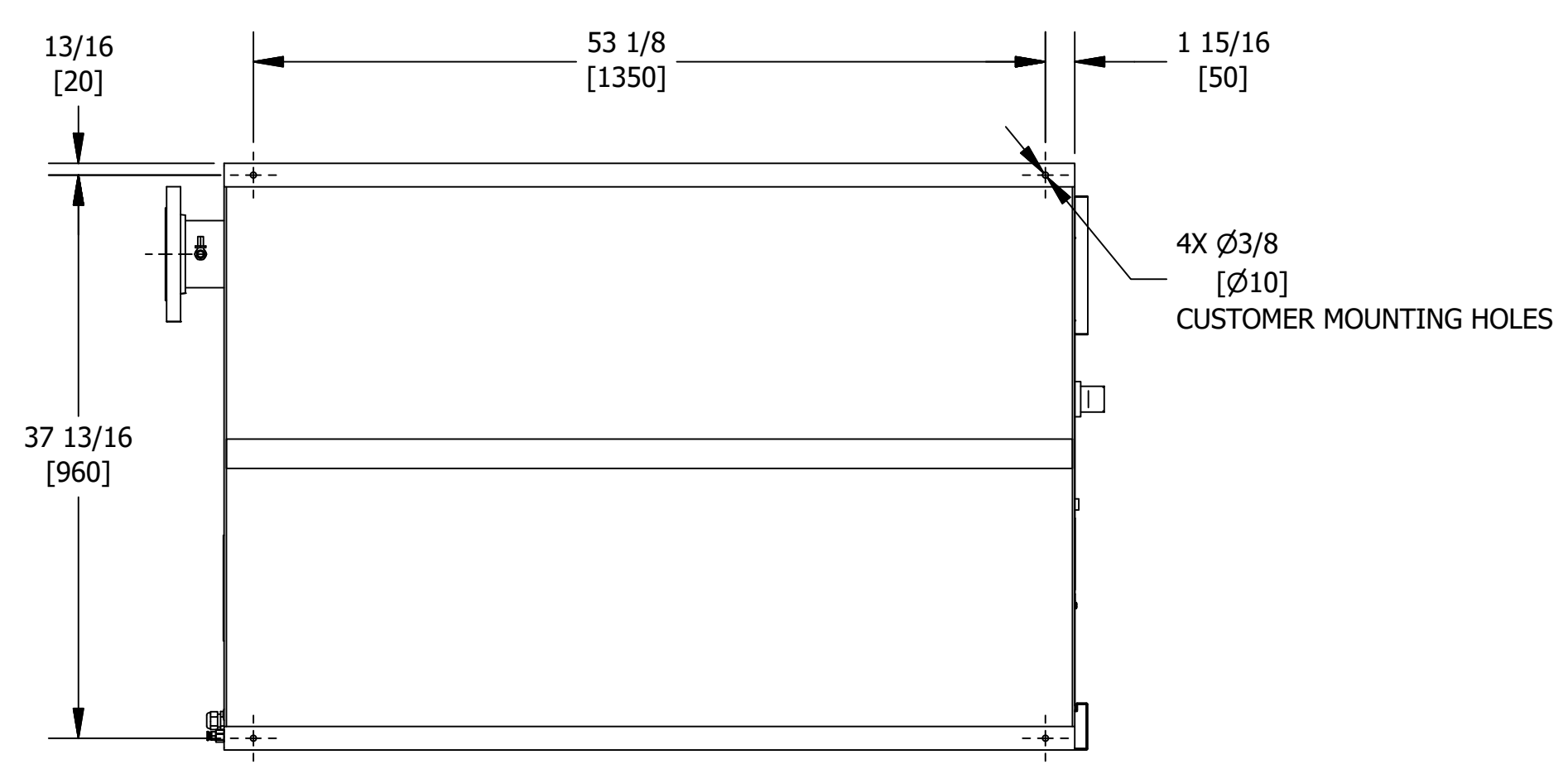
FACE OF CUSTOMER INLET/OUTLET CONNECTIONS (4" CLS 150 RF FLG)

PANEL ACCESS LATCH



SIDE VIEW

FRONT VIEW



FOOT PRINT

4X Ø3/8 [Ø10] CUSTOMER MOUNTING HOLES

UNLESS OTHERWISE SPECIFIED:		NAME	DATE	UNAUTHORIZED USE, MANUFACTURE, OR REPRODUCTION IN WHOLE OR IN PART IS PROHIBITED. DRAWING DESIGN AND OTHER DISCLOSURES ARE PROPERTY OF:
DIMENSIONS ARE IN: INCHES (MM)		DWN BY	CRH	
SURFACE FINISH: N/A		ENG BY	BJM	8/2/2019
TOL.	MM	INCHES	CHK BY	BJM
.X			APP BY	DEH
.XX			REL BY	MDB
.XXX			MAT NO:	
FRACT: ±1/2	ANG: ±2°	SCALE: 3/32		SIZE: D
GA03DEL-0201				REV: 1
GENERAL ARRANGEMENT				SHEET 1/1
DFX 12.5				