

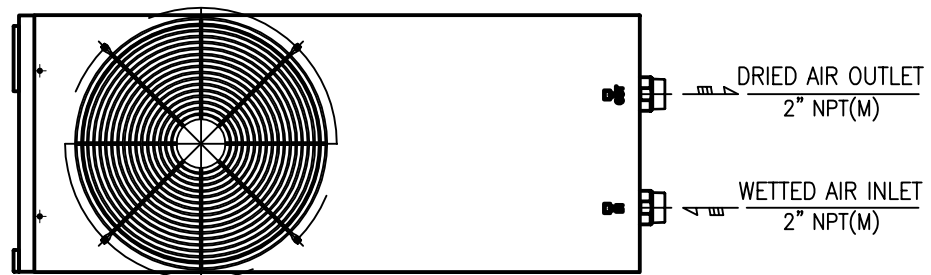
MODEL	INLET AIR FLOW (SCFM)	DIMENSIONS, INCHES (MM)												CONNECTIONS (NPT)	REFRIGERANT	ELECTRICAL	WEIGHT Lb.(kg.)
		A	B	C	D	E	F	G	H	I	J	K	L				
DFX4.5	450	4.87 (123.8)	8.58 (218)	9.78 (248.6)	30.83 (783)	19.43 (493.5)	40.61 (1031.6)	17.72 (450)	19.30 (490)	1.97 (50)	41.73 (1060)	45.67 (1160)	47.35 (1202.8)	2"	R-407c	460V/3PH/60Hz	358 (163)
DFX5.5	550	4.87 (123.8)	8.58 (218)	9.78 (248.6)	30.83 (783)	19.43 (493.5)	40.61 (1031.6)	17.72 (450)	19.30 (490)	1.97 (50)	41.73 (1060)	45.67 (1160)	47.35 (1202.8)	2"	R-407c	460V/3PH/60Hz	396 (180)

NOTE: PRIMARY DIMENSIONS ARE INCHES & DIMENSIONS IN BRACES ARE METRIC

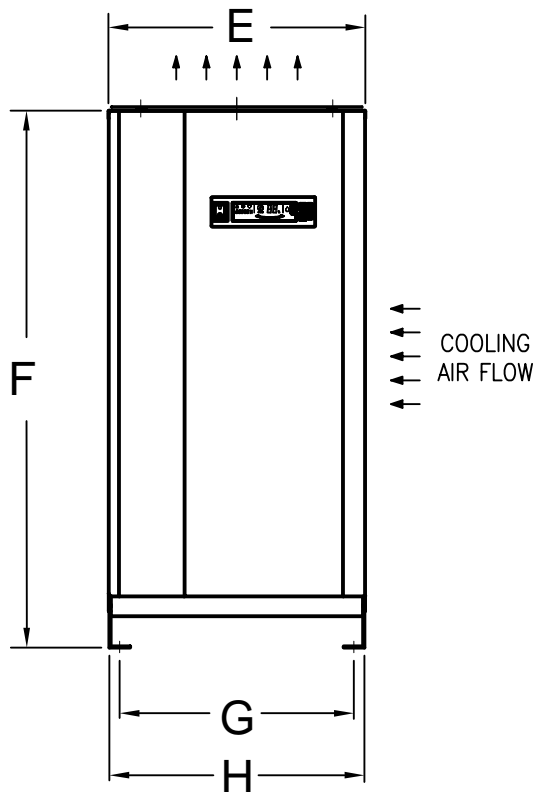
SERVICE :
COMPRESSED AIR

OPERATING CONDITIONS :
 RATED INLET AIR PRESSURE- 100 PSIG
 MAXIMUM INLET AIR PRESSURE- 232 PSIG
 MINIMUM INLET AIR PRESSURE- 43.5 PSIG
 RATED INLET AIR TEMPERATURE- 100°F
 MAXIMUM INLET AIR TEMPERATURE- 122°F
 MINIMUM INLET AIR TEMPERATURE- 39°F
 RATED AMBIENT AIR TEMPERATURE- 100°F
 MAXIMUM AMBIENT AIR TEMPERATURE- 113°F
 MINIMUM AMBIENT AIR TEMPERATURE- 36°F

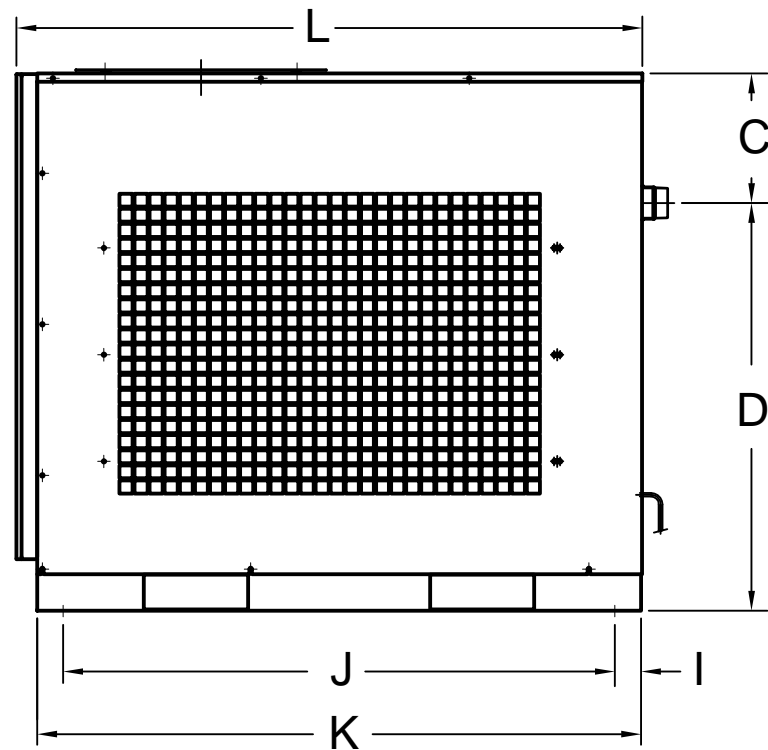
SPECIFICATIONS:
 CONDENSER TYPE- AIR COOLED
 DRAIN TYPE- ELECTRONIC AUTO DRAIN VALVE
 EXPANSION DEVICE- CONSTANT PRESSURE EXPANSION VALVE



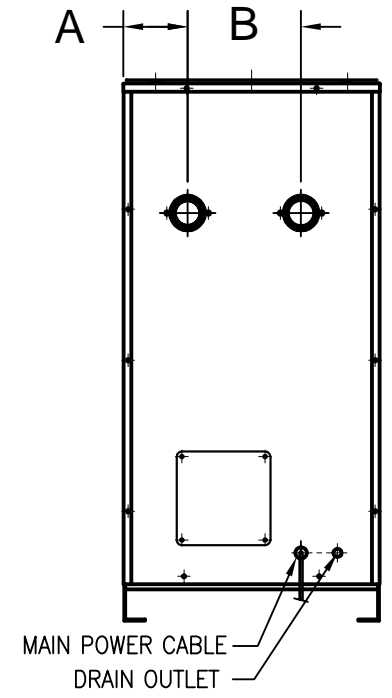
TOP VIEW



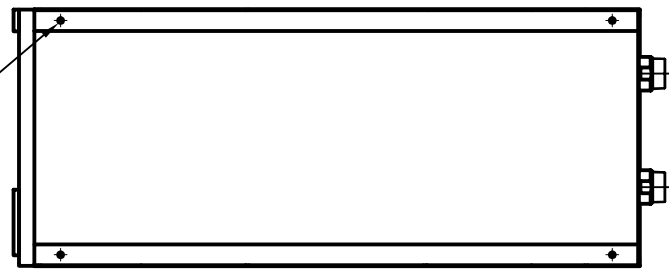
FRONT VIEW



RIGHT SIDE



REAR VIEW



FOOT PRINT

REV.	DESCRIPTION	BY	DATE	APPROVED
REVISION HISTORY (INDICATES LATEST REVISION)				

UNLESS OTHERWISE SPECIFIED
DIMENSIONS ARE IN INCHES
 TOL. ON FRACTIONS: ±
 TOL. ON DECIMALS: ± (2 PLACE)
 TOL. ON DECIMALS: ± (3 PLACE)
 TOL. ON ANGLES: ±

THIRD ANGLE PROJECTION

FILER NO.
DRAWN BY: NLC
DATE: 5/23/17

CHECKED BY: NLC
DATE: 5/23/17

APPROVED BY: NLC
DATE: 5/23/17

Deltech®

GENERAL ARRANGEMENT
DFX 4.5 , DFX 5.5

SIZE B

DWG. NO. GA03DEL-0061

SCALE: NONE EST. WT. SHEET 10F 1