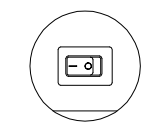
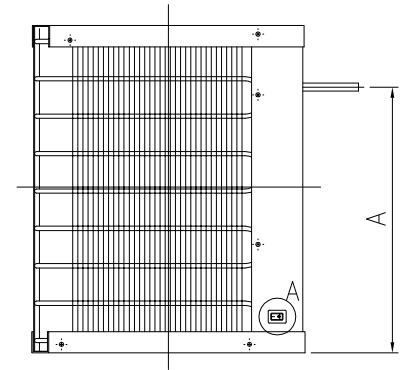
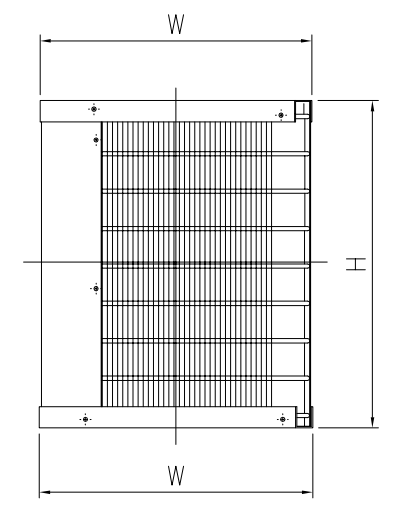
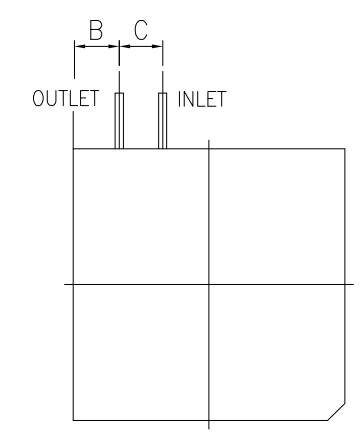
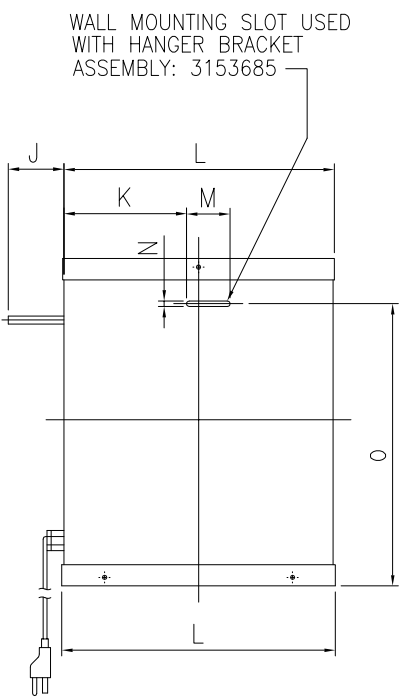
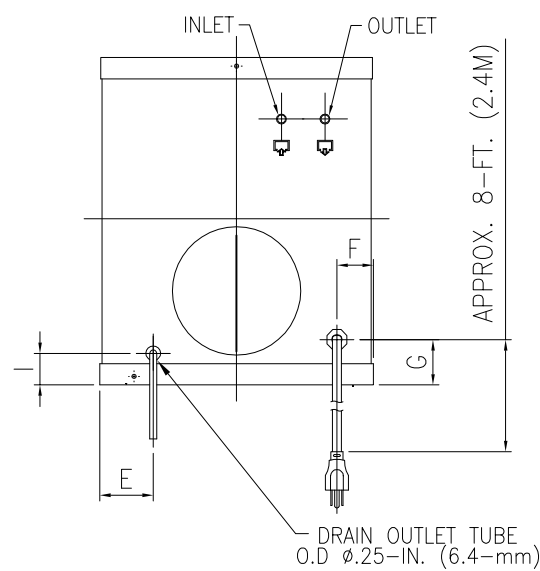


NOTE : PRIMARY DIMENSIONS ARE INCHES AND DIMENSIONS IN BRACES ARE METRIC

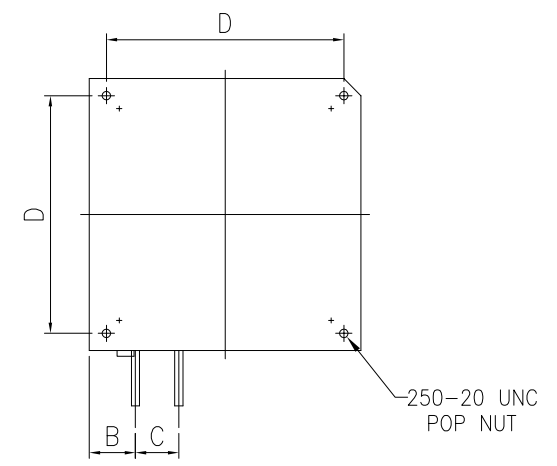
MODEL	DIMENSION inch {mm}																INLET/OUTLET CONNECTION	INLET AIR FLOW <SCFM>	NET WEIGHT <LBS>	SHIPPING WEIGHT <LBS>
	A	B	C	D	E	F	G	H	I	J	K	L	M	N	O	W				
HG15	12.3 {311}	2.1 {54}	2.0 {51}	10.9 {278}	2.5 {63}	1.7 {43}	2.1 {53}	15.0 {382}	1.54 {39}	2.5 {64}	5.7 {145}	12.6 {320}	2.0 {51}	.25 {6.4}	13.0 {330}	12.6 {320}	3/8" O.D. TUBE	15	47	52

B

A



DETAIL A
SCALE 3:1
ON/OFF SWITCH W/RUNNING LAMP



SERVICE :
COMPRESSED AIR

OPERATING CONDITIONS :
 RATED INLET AIR PRESSURE - 100 PSIG
 MAXIMUM INLET AIR PRESSURE - 250 PSIG
 MINIMUM INLET AIR PRESSURE - 30 PSIG
 RATED INLET AIR TEMPERATURE - 100 °F
 MAXIMUM INLET AIR TEMPERATURE - 113 °F
 MINIMUM INLET AIR TEMPERATURE - 40 °F
 RATED AMBIENT AIR TEMPERATURE - 100 °F
 MAXIMUM AMBIENT AIR TEMPERATURE - 113 °F
 MINIMUM AMBIENT AIR TEMPERATURE - 40 °F

SPECIFICATIONS :
 ELECTRICAL - 115-1PH-60Hz
 CONDENSER TYPE - STATIC CONDENSER
 REFRIGERANT - HFC-134a (R-134a)
 EXPANSION DEVICE - CONSTANT EXPANSION VALVE
 DRAIN TYPE - ELECTRONIC DRAIN

REV.	DESCRIPTION	BY	DATE	APPROVED
A	ECF-130115-DDB-01	NLC	1/21/13	DDB
REVISION HISTORY (INDICATES LATEST REVISION)				

UNLESS OTHERWISE SPECIFIED DIMENSIONS ARE IN INCHES TOL. ON FRACTIONS: $\pm 1/16$ TOL. ON DECIMALS: $\pm .030$ (2 PLACE) TOL. ON DECIMALS: $\pm .015$ (3 PLACE) TOL. ON ANGLES: $\pm .5$	FILER NO.
	DRAWN BY: MPK DATE: 05/03/07
	CHECKED BY: TJP DATE: 05/03/07
THIRD ANGLE PROJECTION	APPROVED BY: JRL DATE: 05/03/07

REFRIGERATED AIR DRYER (STATIC COND) GENERAL ARRANGEMENT HG15		
SIZE B	DWG. NO. GA03DEL-0028	REV. A
SCALE: NONE	EST. WT.	SHEET 1 OF 1